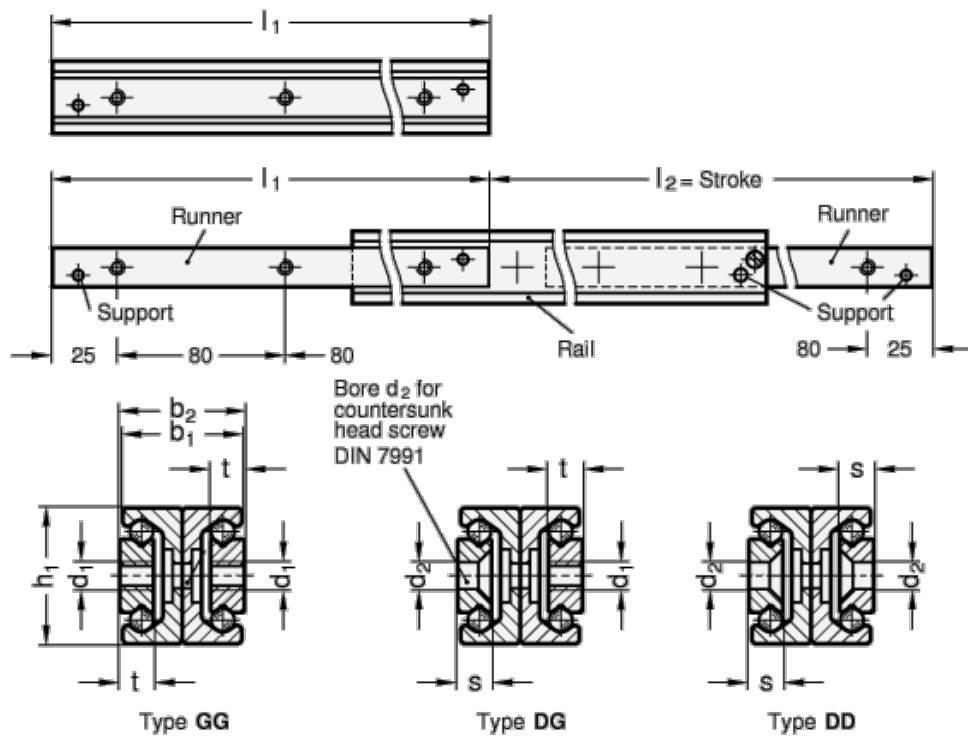


Article number: 20240843450DG

Description: E+G Telescope-Liאר motion bearings GN 2408-43-450-DG

## Measures



$b_1 = 42$   
 $b_2 = 44$   
 $d_1 = M8$   
 $d_2 = 8.5$   
 $h_1 = 43$   
 $L_1 = 450 - 486$   
 $s = 4.5$   
 $t =$

Weight in (g) = 4730